

PATERA OVAL

Project name:

Project type:

Notes:



Design

Øivind Slaatto

Product description

Patera is a modern pendant with a vibrant and beautiful light. From a distance it is a simple ellipsoid. As you move closer the details come to life, revealing a structure that is ever present in nature, inspired from the Fibonacci mathematical sequence. The shade is built up of small diamond-shaped cells formed by the weaving of ribbons of material. Each cell is carefully designed to capture light and to shield the light source from the viewing angles above 45 degrees. Traditional socket available for use with the customer's preferred lamping. Dedicated LED variants are available.



Variant options

Dimension	Light source	Lumen	Voltage frequency	Lighting control
19.7 IN	E26 LED 2700K LED 3000K	- 2553 2656	120-277V/60HZ 120V	- Dim 0-10v

Light description

Longer cord lengths. LED in 3500K or 4000K. Alternative dimming controls.

Mounting

Longer cord lengths. LED in 3500K or 4000K. Alternative dimming controls.

Information

Electrical:

System Wattage: 41W (LED); 40W (INC)

LED

Wattage: 39W

Delivered lumens: 2,553 - 2,656 (LED)

Efficacy: 62 lm/W - 65 lm/W (LED)

Certifications:

cULus, Damp Location

Protection class IP20

Controllability: 0-10V Dimming (LED variants); Phase dimming (incandescent variant)

Color Rendering: Ra≥90 for LED variants.

Performance dependent upon screw-base lamp used in socketed variants.

Other functions

Longer cord lengths. LED in 3500K or 4000K. Alternative dimming controls.

Specification notes

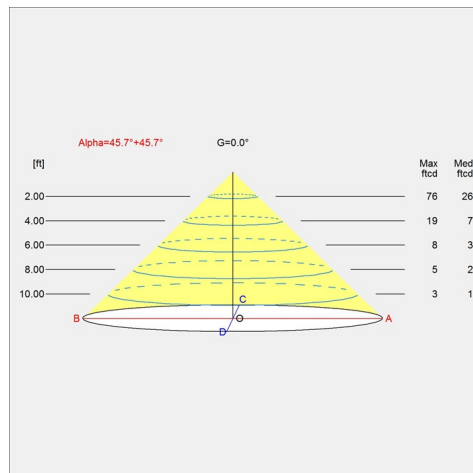
a. Incandescent variant available only in 120V.

b. LED variants available only in 120-277V with 0-10V dimming.

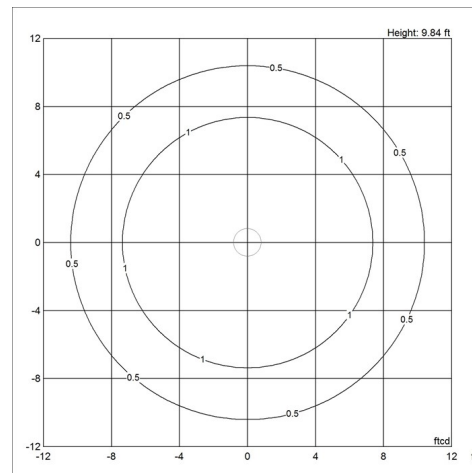
Light distribution diagrams

For the full data set on all variants, see louispoulsen.com.

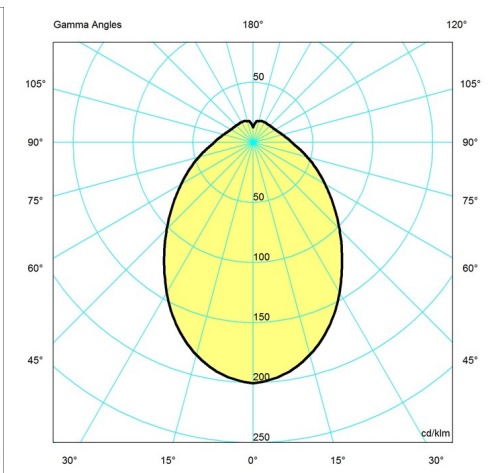
Cartesian



Isolux



Polar



Material

Shade: Matte PVC sheet, .05" thick. Frame: White, opal, matte-coated injection-molded polycarbonate, .03" thick with steel reinforcing rods, .04" thick. Vertical stabilizing stem: aluminum, .05" thick. LED: Aluminum heatsink. Bottom diffuser: Injection-molded opal white acrylic, 0.1" thick.

Weight

Min: 3.688 lbs Max: 6.53 lbs

Dimensions

19.7 IN

Finish

White matte

Voltage

120-277V/60HZ, 120V

Variant options

Dimension	Light source	Lumen	Voltage frequency	Lighting control	Variant number
19.7 IN	E26	-	120V	-	5741936014
19.7 IN	LED 2700K	2553	120-277V/60HZ	Dim 0-10v	5741936069
19.7 IN	LED 3000K	2656	120-277V/60HZ	Dim 0-10v	5741936072